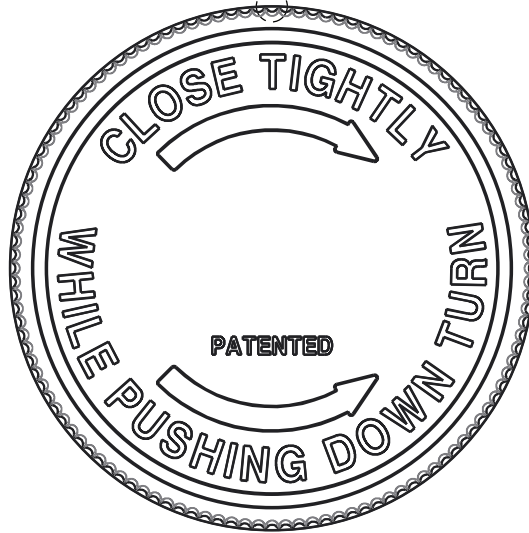




107090

28-400 White PP Child Resistant Closure with Foam Liner
K.G. International - sales@kgint.com - +1 305 499-9816

SEE DECORATION DETAIL



NOTES:

DIAMETERS TO BE TAKEN AS AVERAGE

6 TPI THREAD CONSTRUCTION

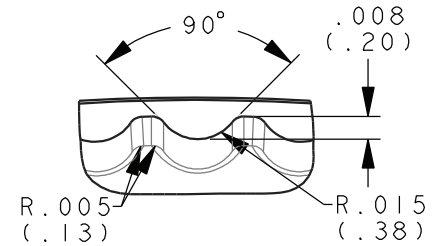
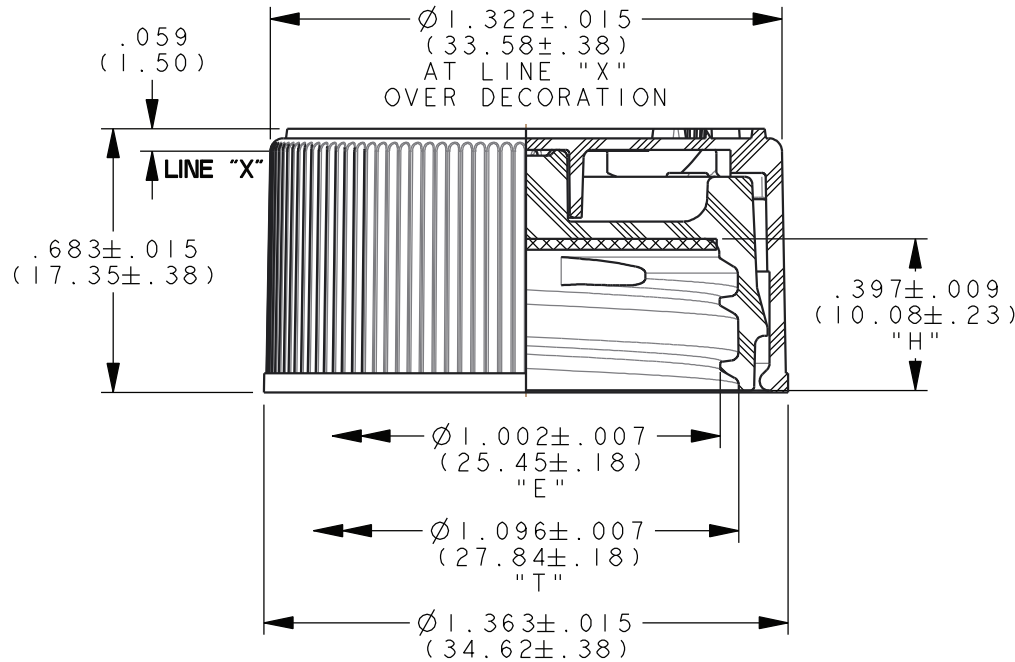
SEE DRAWING QIM-500-A105 FOR SPECIAL FINISH CONSIDERATIONS

SUGGESTED APPLICATION TORQUE:
13-19 IN-LBS (1.5-2.1 N-M)

CAVITY NUMBER TO APPEAR ON INSIDE TOP SURFACE OF BOTH OUTER AND INNER CLOSURES

ENGLISH DIMENSIONS IN INCHES
METRIC DIMENSIONS IN (mm)

SUPERSEDES DWGS #K6113 AND QIM-500-A93



DECORATION DETAIL

REFERENCE ONLY
SCALE 15:1

120 EQUALLY
SPACED CUTS